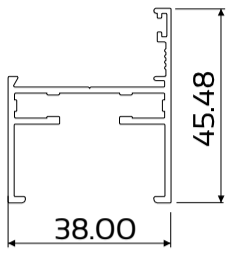


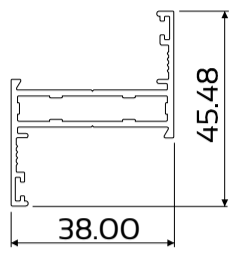


crealco | CASEMENT 38 WINDOW (38mm)

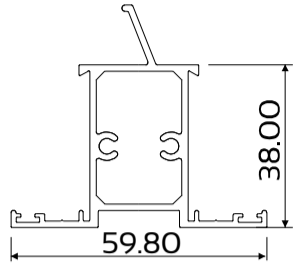
Profiles



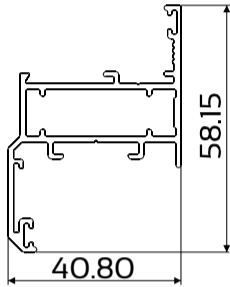
DIE No. W32070 Cas38 Equal Leg Outer Frame



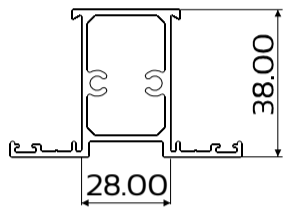
DIE No. W55717 Cas38 Tubular Sash



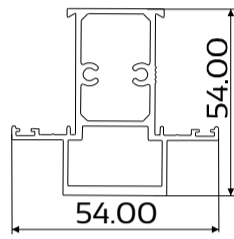
DIE No. W13408 Transom with Weather Bar



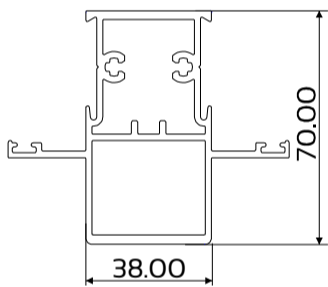
DIE No. W57508 Cas38 Sash Euro



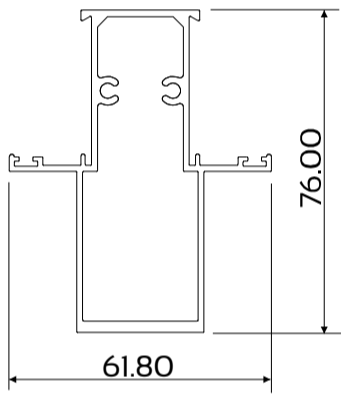
DIE No. W13268 Cas38 Mullion /Transom



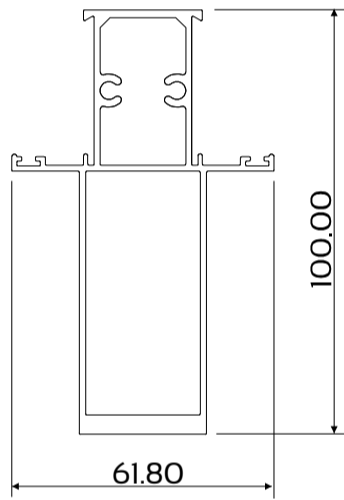
DIE No. W56796 Cas38 54mm Mullion



DIE No. W56797 Cas38 70mm Mullion



DIE No. W54455 Cas38 76mm Mullion



DIE No. W54454 Cas38 100mm Mullion



DIE No. W25200 Cas38 Glazing Bead 7-8mm



DIE No. W24530 Cas38 Glazing Bead 3-5mm



DIE No. W30312 Double Glazing Bead 25mm



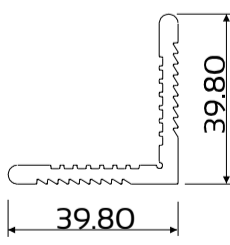
DIE No. W31140 Cas38 Angle Bead 13mm Gap



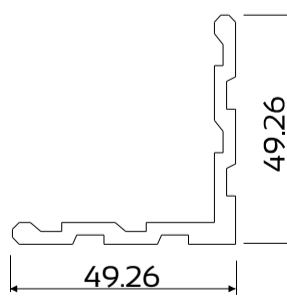
DIE No. W35510 Cas38 Bead Euro 13mm Gap



DIE No. W29247 Colonial Bar



DIE No. W52538 Osborne Multi Corner Cleat



DIE No. W52695 50mm Corner Cleat

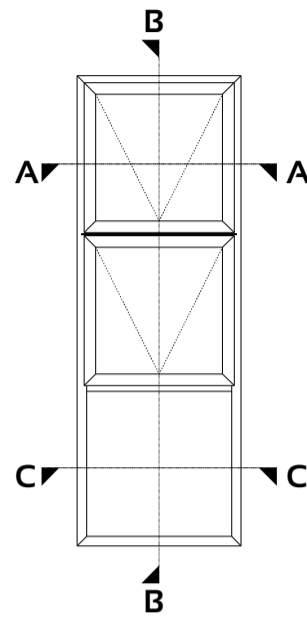


DIE No. W36021 Cas 36 Bead Euro D/G 31mm

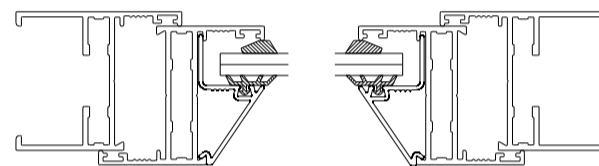


DIE No. W36022 Cas 36 Bead Euro D/G 31mm Gap

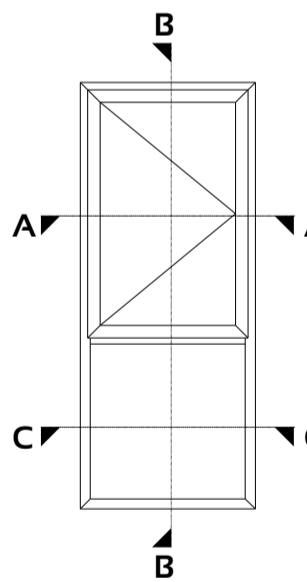
Elevations & Sections



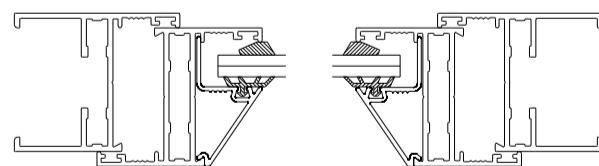
SECTION A-A
Section not to scale



SECTION C-C
Section not to scale



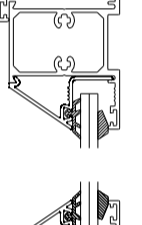
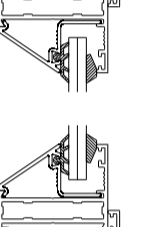
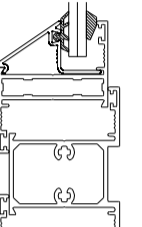
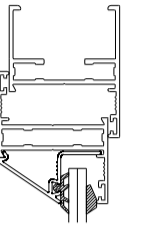
SECTION A-A
Section not to scale



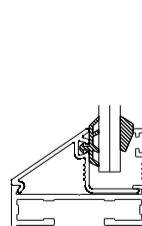
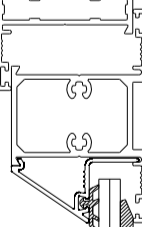
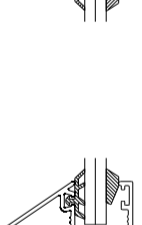
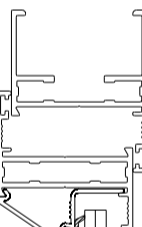
SECTION C-C
Section not to scale



SECTION B-B
Section not to scale



SECTION B-B
Section not to scale



Maximum Sash Sizes (WxH) to suit Friction Stay		
Standard Sash	Top Hung	1500 x 1200
	Side Hung	700 x 1500
Euro Sash	Top Hung	1500 x 1200
	Side Hung	700 x 1500
Double Glazing	Top Hung	1180 x 1200
	Side Hung	700 x 700

Disclaimer: The right to make alterations is reserved.

Please refer to system manual for additional information

© Copyright 2015, Wispeco (Pty) Ltd.

October 2016

EDENVALE
Shop 13
Meadowdale Value City
Herman Road, Edenvale, Jhb
Postnet Suite 37
Private Bag X10020
Edenvale, 1610
Tel: +27 11 454 0300
Fax: +27 11 454 0475
Theuns du Plessis
theuns@conways.co.za

PRETORIA
Willows Business Park
cnr Bearing Cr & Petrol Str
Watloo, Silverton, Pretoria
Postnet Suite 37
Private Bag X10020
Edenvale, 1610
Tel: +27 12 803 7989
Fax: +27 12 803 7988
Francois Reyneke
francois@conways.co.za

DURBAN
20 Ebonyfield Avenue
Springfield Park
Durban
PO Box 74460
Rochdale Park
4034
Tel: +27 31 579 8300
Fax: +27 31 579 8301
Steffanie Schuster
steffanie@conways.co.za

CAPE TOWN
24 Montague Drive
Montague Gardens
Cape Town
PO Box 36603
Chempet
7442
Tel: +27 21 528 1100
Fax: +27 21 528 1101
Vivian Theys
vivian@conways.co.za

PORT ELIZABETH
5 Herbert Street
Korsten
Port Elizabeth
PO Box 14255
Sidwell
6000
Tel: +27 41 404 1900
Fax: +27 41 453 0669
Vivette Wilken
vivette@conways.co.za

LIMPOPO
Unit 4B, Danielle Close
Corporate Park 2
Magna via Polokwane
PO Box 124167
Alrode
1451
Tel: +27 81 756 7550
Fax: +27 15 298 8138
Wade May
wade@conways.co.za

NELSPRUIT
Unit D, 4 Rapid Street
Riverside Industrial Park
Nelspruit
PO Box 2590
White River
1240
Tel: +27 13 752 3199
Fax: +27 13 752 3231
Marius van Vuuren
mariusv@conways.co.za

CONWAYS
Est. 1946
Aluminium Profile Stockists