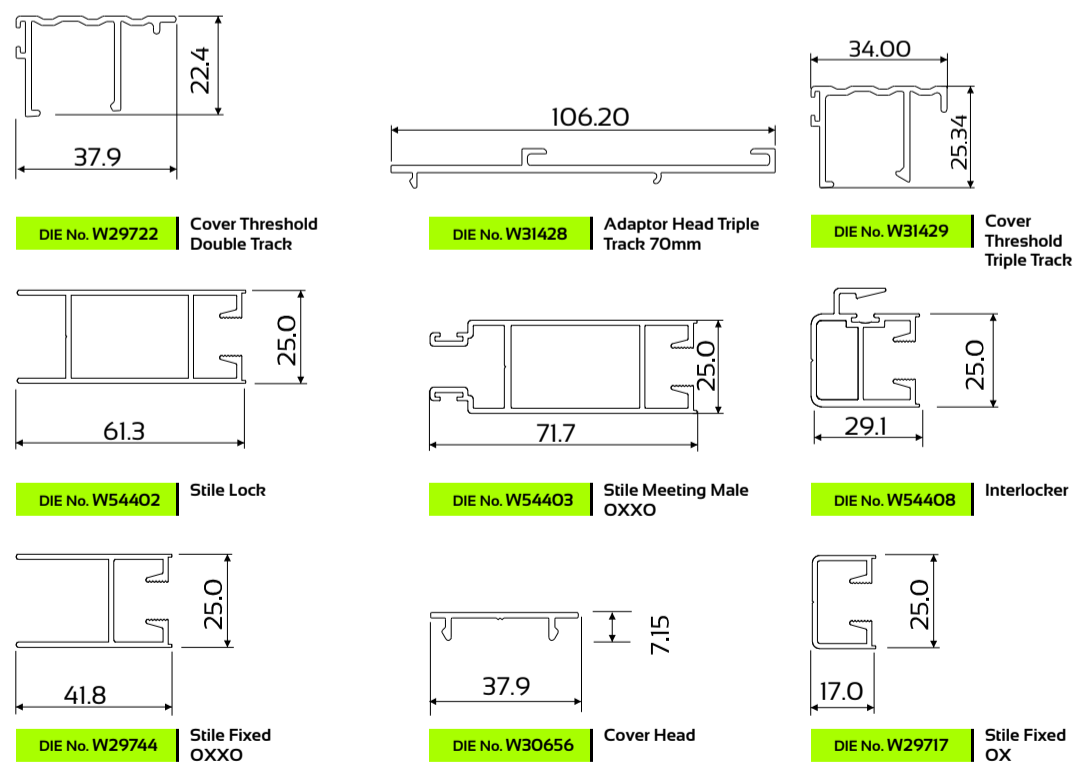
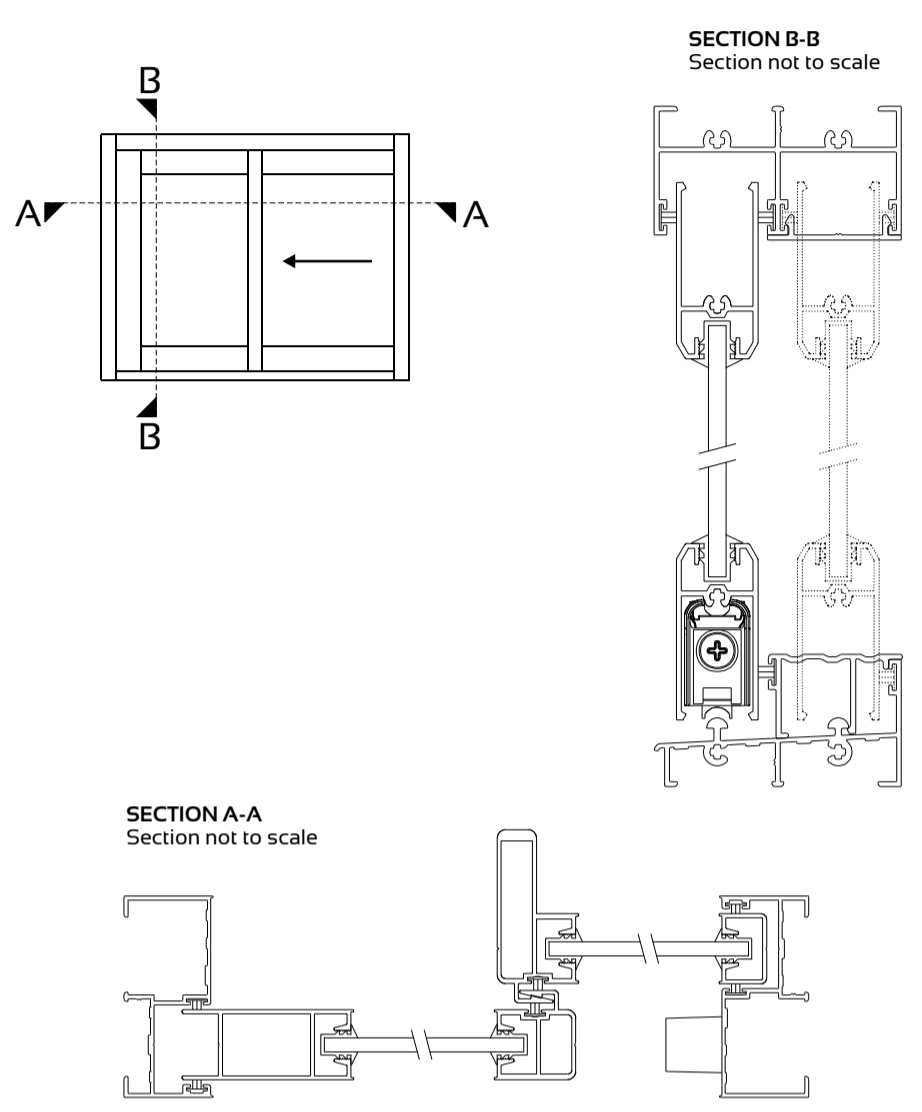
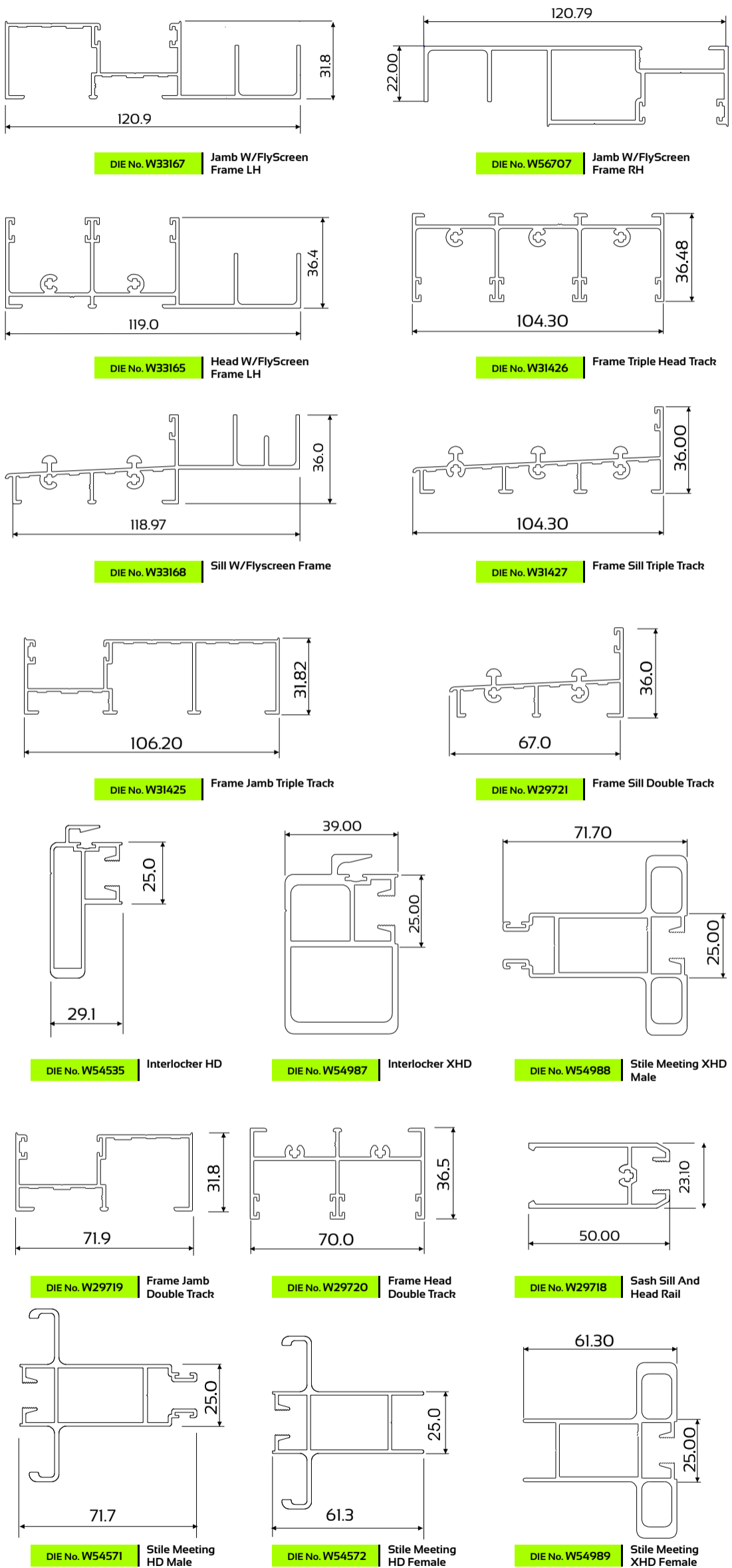




# crealco | 700 SLIDING DOOR

## Profiles

## Elevations & Sections



Disclaimer: The right to make alterations is reserved.

Please refer to system manual for additional information

© Copyright 2015, Wispeco (Pty) Ltd.

November 2015

- |   |   |  |  |   |  |   |
|---|---|--|--|---|--|---|
| <p><b>EDENVALE</b><br/>Shop 13<br/>Meadowdale Value City<br/>Herman Road, Edenvale, Jhb<br/>Postnet Suite 37<br/>Private Bag X10020<br/>Edenvale, 1610<br/>Tel: +27 11 454 0300<br/>Fax: +27 11 454 0475<br/>Theuns du Plessis<br/>theuns@conways.co.za</p> | <p><b>PRETORIA</b><br/>Willows Business Park<br/>cnr Bearing Cr &amp; Petrol Str<br/>Watloo, Silverton, Pretoria<br/>Postnet Suite 37<br/>Private Bag X10020<br/>Edenvale, 1610<br/>Tel: +27 12 803 7989<br/>Fax: +27 12 803 7988<br/>Francois Reyneke<br/>francois@conways.co.za</p> | <p><b>DURBAN</b><br/>20 Ebonyfield Avenue<br/>Springfield Park<br/>Durban<br/>PO Box 74460<br/>Rochdale Park<br/>4034<br/>Tel: +27 31 579 8300<br/>Fax: +27 31 579 8301<br/>Steffanie Schuster<br/>steffanie@conways.co.za</p> | <p><b>CAPE TOWN</b><br/>24 Montague Drive<br/>Montague Gardens<br/>Cape Town<br/>PO Box 36603<br/>Chempet<br/>7442<br/>Tel: +27 21 528 1100<br/>Fax: +27 21 528 1101<br/>Vivian Theys<br/>vivian@conways.co.za</p> | <p><b>PORT ELIZABETH</b><br/>5 Herbert Street<br/>Korsten<br/>Port Elizabeth<br/>PO Box 14255<br/>Sidwell<br/>6000<br/>Tel: +27 41 404 1900<br/>Fax: +27 41 453 0669<br/>Vivienne Wilken<br/>vivienne@conways.co.za</p> | <p><b>LIMPOPO</b><br/>Unit 4B, Danielle Close<br/>Corporate Park 2<br/>Magna via Polokwane<br/>PO Box 124167<br/>Alrode<br/>1451<br/>Tel: +27 81 756 7550<br/>Fax: +27 15 298 8138<br/>Wade May<br/>wade@conways.co.za</p> | <p><b>NELSPRUIT</b><br/>Unit D, 4 Rapid Street<br/>Riverside Industrial Park<br/>Nelspruit<br/>PO Box 2590<br/>White River<br/>1240<br/>Tel: +27 13 752 3199<br/>Fax: +27 13 752 3231<br/>Marius van Vuuren<br/>mariusv@conways.co.za</p> |
|---|---|--|--|---|--|---|

